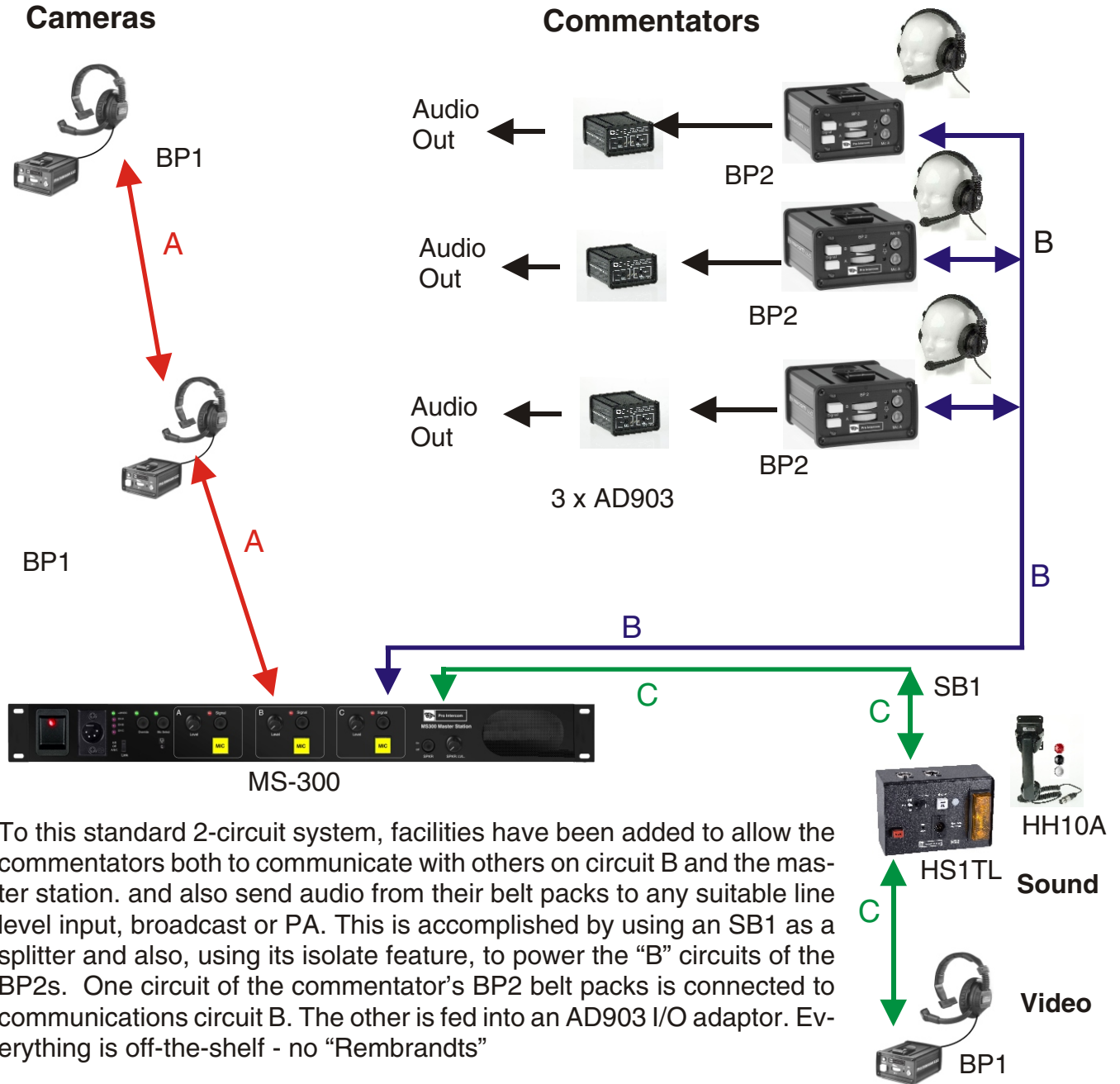


Calgary Stampede Wrestling



To this standard 2-circuit system, facilities have been added to allow the commentators both to communicate with others on circuit B and the master station, and also send audio from their belt packs to any suitable line level input, broadcast or PA. This is accomplished by using an SB1 as a splitter and also, using its isolate feature, to power the "B" circuits of the BP2s. One circuit of the commentator's BP2 belt packs is connected to communications circuit B. The other is fed into an AD903 I/O adaptor. Everything is off-the-shelf - no "Rembrandts"

Pro Intercom LLC

PO BOX 7035 ALGONQUIN ILLINOIS 60102-7035

PHONE: +1 (815) 680-5205 ORDERS AND TECH SUPPORT: (888) 320-5928 FAX: +1 (815) 526-8689